

If you would like to view this manual in any of the following languages:



Scan the QR code or visit our website:

<https://nightsearcher.co.uk/en/category/products-d3a/solar-lights.html>

**NEXSUN-ST1200**



**Safe disposal of waste electrical products:**

If at any time, you need to dispose of this product or parts of this product: please note that waste electrical products, should not be disposed of with ordinary household waste. Recycle where facilities exist. Check with your local authority for recycling advice. Alternatively, NightSearcher is happy to take receipt of this product at end-of-life and will recycle it on your behalf.

**Guarantee Terms**

All NightSearcher products have a 3-year standard warranty on all manufacturing defects and 1-year warranty on all rechargeable batteries from the date of purchase.

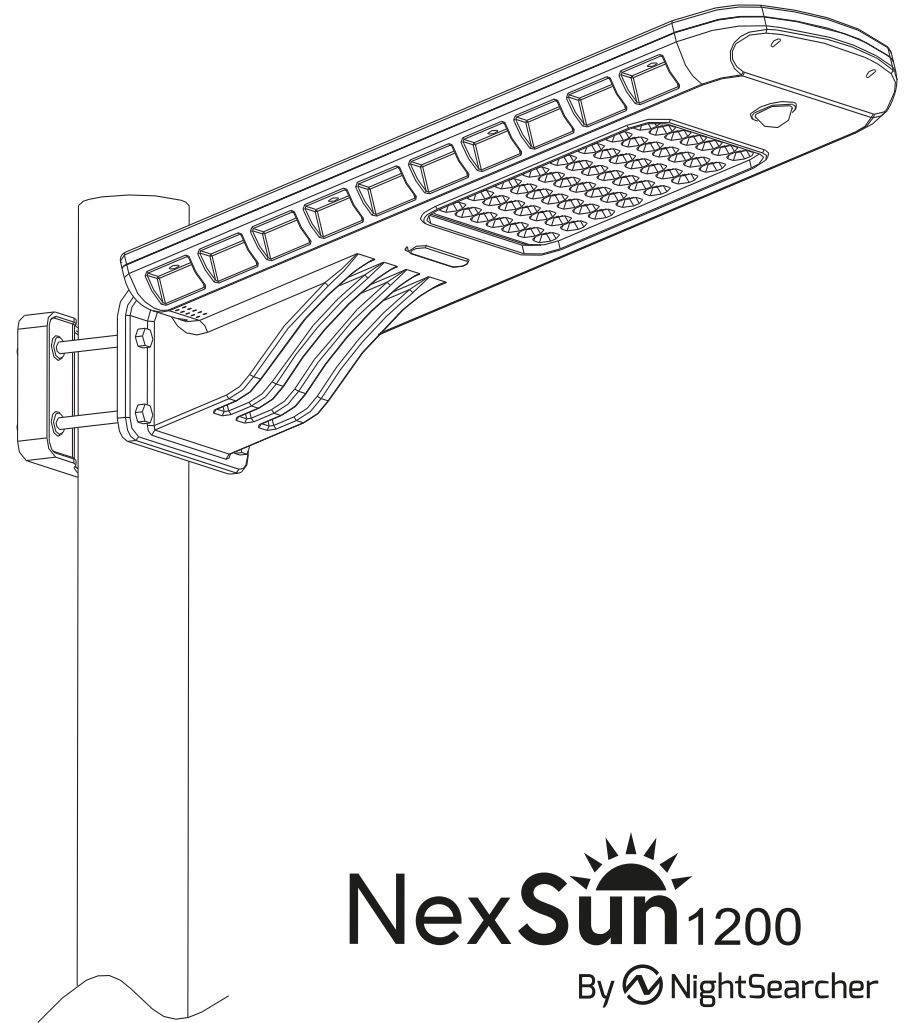
**Extended Warranty:** Customers have the option to extend the warranty of the product to 5 years for manufacturing defects. Registration of the product must be made within one month of purchase by sending us an email [sales@nightsearcher.co.uk](mailto:sales@nightsearcher.co.uk). In the message please state in your own words that you would like to register your NightSearcher product for the extended warranty.

To view NightSearcher's warranty policy, please visit: <http://nightsearcher.com/en/warranty.html> or scan the QR code.

**NightSearcher Limited:**

Unit 4 Applied House  
Fitzherbert Spur  
Farlington  
PORTSMOUTH  
Hampshire, UK  
PO6 1TT

[www.nightsearcher.co.uk](http://www.nightsearcher.co.uk)  
Tel: (0)23 9238 9774.



**NexSun**<sup>1200</sup>  
By  NightSearcher  
**User Manual**

## Contents:

- Lamp
- Pole fixings
- Wall fixings
- Remote controller
- User Manual



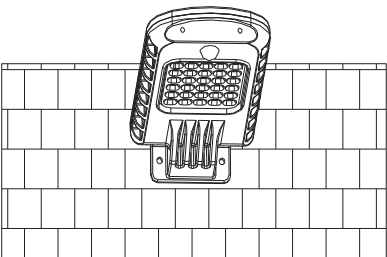
## Specification:

Solar panel	12W 16V, Polycrystalline
Battery (in lamp)	4AH, 11.1V Rechargeable lithium battery
Lumen	1200lm
PIR distance / Detection range	6-12m/ 140°
Charging time	6 hours
Working temperature	-20°~+60°
IP Rating	IP65
Pole diameter	70-100mm
Dimensions	515x220x95mm
Weight	2.12kg
Stock code	NEXSUN-ST1200

## Installation:

- Install in a location where the solar panel will receive direct sunlight and not blocked or covered by buildings, trees or other structures that would prevent the solar panel from charging sufficiently.
- Choose installation methods as desired (installing to a wall or pole as required).
- Recommendation Installation height: 3.5-4.5m. Pole diameter: 70-100mm  
Distance between lamps: 10-15m.
- Activate the solar lamp to the light mode you require before continuing (see Operational Instructions).
- Please ensure installation kits are tightened firmly.

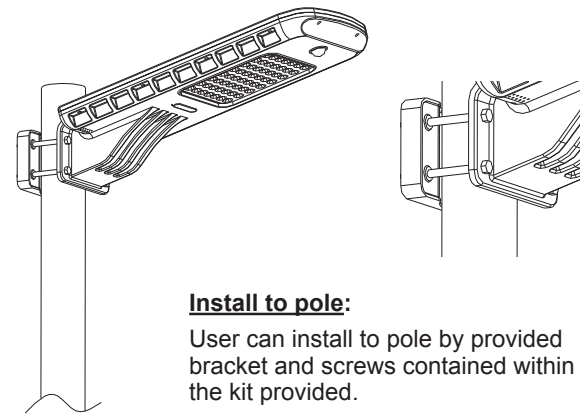
**Charging time:** 6 hours



Surface mount

### Install to a wall:

1. Mark out the required holes needed to mount the lamp.
2. Drill suitable holes and insert wall plugs either supplied or suitable substitutes.
3. Position the lamp and secure into place with supplied or other suitable fixing's.



Pole mount

### Install to pole:

User can install to pole by provided bracket and screws contained within the kit provided.

## Operation:

### Dusk to Dawn:

This solar light will automatically come on at dusk, and turn off during the daytime.

### Movement activated (PIR):

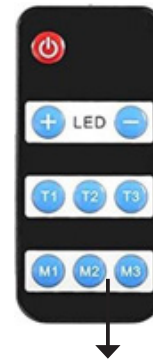
The LED light will operate when motion is detected near the light.

Please note that the lamp needs to be turned on using the provided remote control.

**PIR distance: 6-12m/140°**

### How to use the remote control:

Press Red power button: To turn the lamp on/off the additional buttons control and change the light level and timer modes.



### Brightness Adjustment: + / - LED

Press the + or - button to increase or decrease the brightness of the lamp. Please note this button is effective only when lamp is under mode M1 or M2.

### T1, T2, T3: Timer mode

**T1=15s:** Set working time of high brightness under M1 or M2 to 15 seconds

**T2=30s:** Set working time of high brightness under M1 or M2 to 30 seconds

**T3=60s:** Set working time of high brightness under M1 or M2 to 60 seconds

Please note this button is effective only when lamp is under mode M1 or M2.

### M1, M2, M3: working modes

**M1:** If no motion is detected, the light will power at dimmed level for up to 8 hours in total. If motion is detected, the light will switch to full power for you selected time (Exact timing length of high brightness will depend on which time mode you have chosen: T1, T2, or T3).

**M2:** If no motion is detected the light will remain off. Once motion is detected: light will illuminate to full brightness for you selected time (Exact timing length of high brightness will depend on which time mode you have chosen: T1, T2, or T3).

**M3:** Light is powered in low mode from dusk, until battery is depleted of dawn.