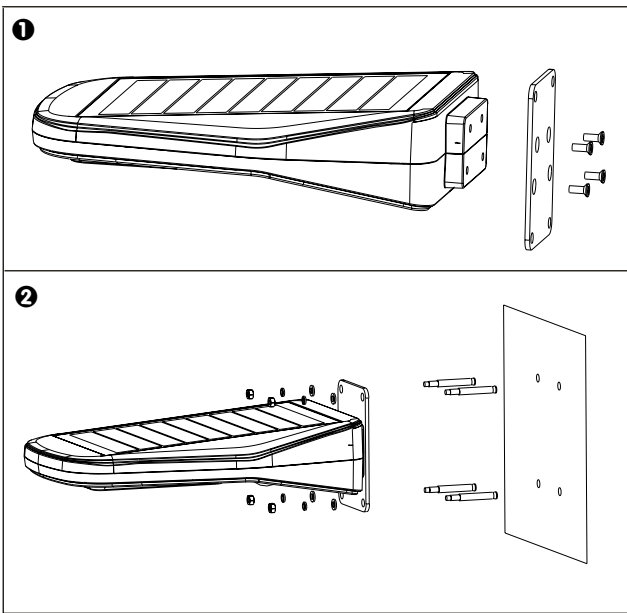


Supplied with:
1 x Solar floodlight
2 x U shaped brackets
1 x Remote control
and fixings

Find a sunny location to install the floodlight.

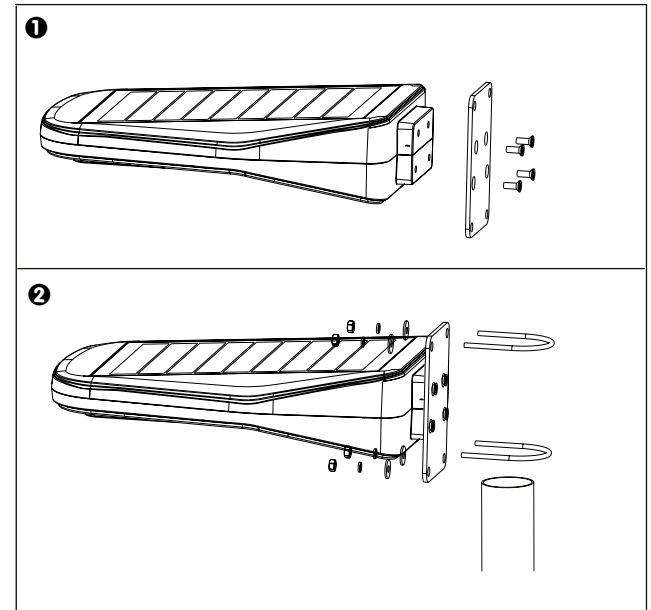
2 installation methods:

A. Wall Mounted:

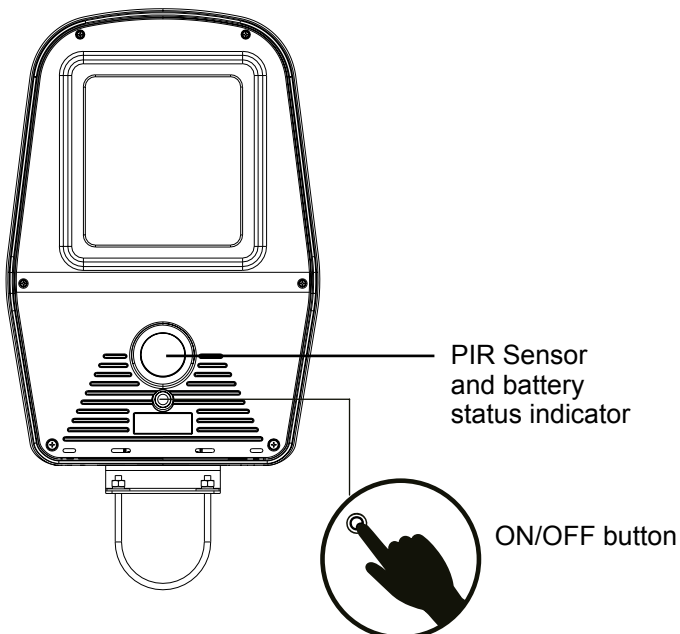


- ❶ Align the mounting bracket with the screws and tighten the screws.
- ❷ Drill 4 holes in wall and install using expansion screws.

B. Straight pole:



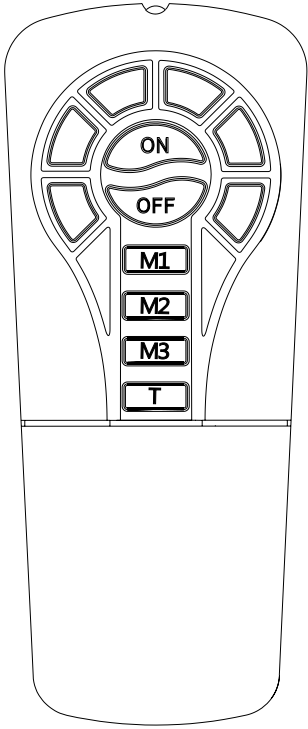
- ❶ Align the mounting bracket with the screws and tighten the screws.
- ❷ Use the U-shaped brackets to fix the lamp on the pole.
- ❸ The poles diameter should be $\Phi 60\text{mm}$.



Operating the floodlight:

- ❶ Press the On/OFF button for 1.5 seconds
- ❷ The battery indicator will show the battery status:
Green = >70%
Orange = 30-70%
Red = <30%

Operating the floodlight:



③. Choose a light mode

Motion activated PIR mode:

M1 = 50% brightness for the first 5+ hours
after the brightness will then change to 10%.
100% brightness if motion is detected for 30 seconds.
A red light will flash to indicator this mode has been selected.

M2 = 30% brightness for the first 5+ hours
after the brightness will then change to 10%.
100% brightness if motion is detected for 30 seconds.
A green light will flash to indicator this mode has been selected.

M3 = 20% brightness
100% brightness if motion is detected for 30 seconds.
A orange light will flash to indicator this mode has been selected.

Timed illumination mode:

T = Press T button once, 100% Brightness will turn on for 1 hour
Press T button twice, 100% Brightness will turn on for 2 hour
Once the 1 or 2 hours has a passed, the light will turn back to previous light mode.

NexSun

NexSun is a brand of NightSearcher Ltd.

NightSearcher Limited, Unit 4 Applied House, Fitzherbert Spur, Farlington,
Portsmouth, Hampshire, PO6 1TT, UK

T: +44 (0)23 9238 9774 E: sales@nightsearcher.co.uk

All NexSun products have a 3 year standard warranty on all manufacturing defects and 2 years on rechargeable batteries from the date of purchase.

Please visit www.nexsun.co.uk for warranty information, proof of purchase is required.



Product weight	2.01kg
Product size	451.8x246.3x85.4mm
NS Part No.	NEXSUN-2000