



Charging the floodlight



Charging Socket
Insert plug into socket and tighten hand wheel.



The light can be used continuously when plugged into AC mains but it will only operate on medium mode.

Battery Charging and Status Indicators



4.5 hours charging time.



Power bank to charge your phone

Setting up the Tower Pro:



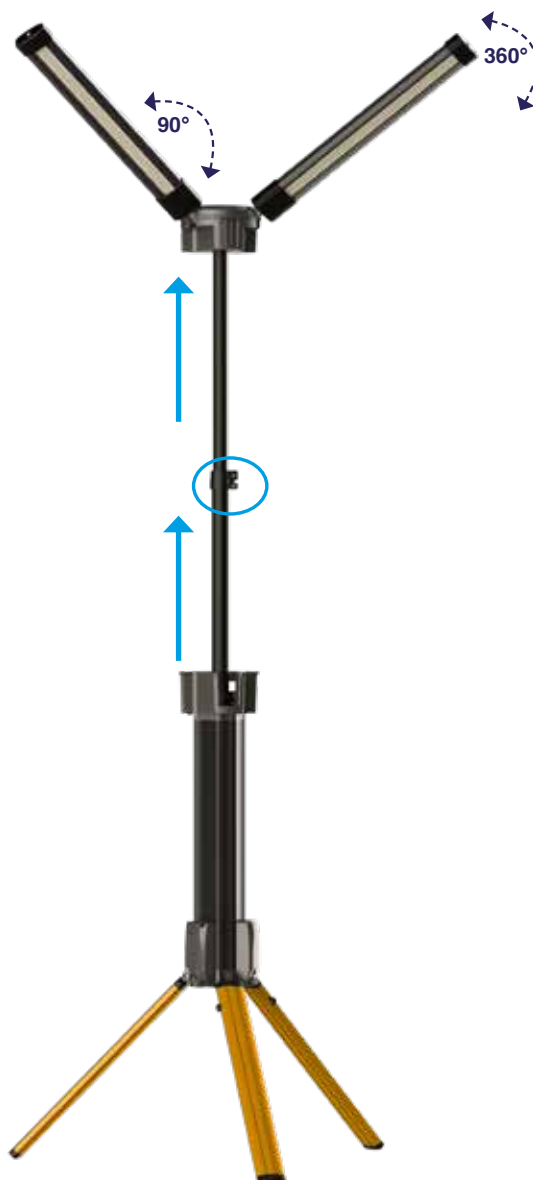
❶. Slide button and lift leg to unlock each leg.

❷. Unfold each leg out into position.



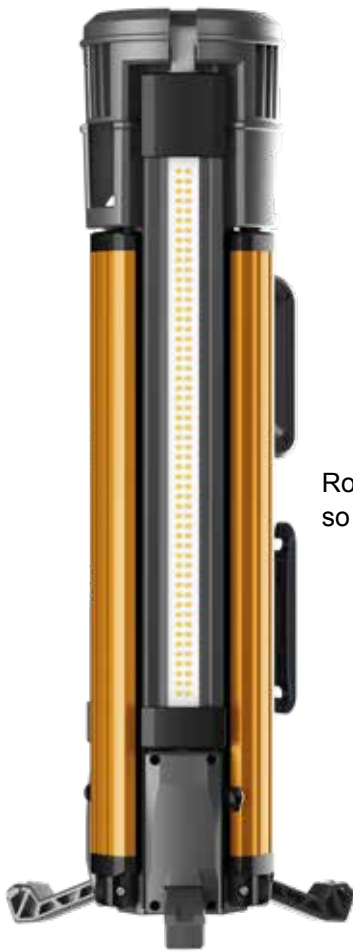
❸. Unlock extending clamp and extend both poles to desired height and lock clamps.

❹. Pull out the light heads and rotate swivel to desired angle.



⑤. **Setting up the Tower Pro Continued...**

The Tower Pro 10K can also be used as floor light.



Rotate the light heads so they face outwards.

Drop down retractable feet.



⑤. Press button to turn the light ON/OFF again to change light modes: Low \rightarrow Medium \rightarrow High \rightarrow Off

⑥. Use this button to change the light beam from cool white to warm white.

Built-in cable and charger wrapping system for tidy storage.



Carry handle



Reversible ground spikes:



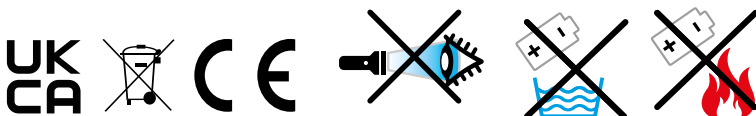
The Tower Pro comes with ground spikes, ideal for using on uneven ground. To release these unscrew using a screw driver, pull out the spike and rotate and push back into hole to secure into place.



NightSearcher Limited
 Unit 4 Applied House, Fitzherbert Spur, Farlington,
 Portsmouth, Hampshire, PO6 1TT, UK
 T: +44 (0)23 9238 9774
 E: sales@nightsearcher.co.uk

All NightSearcher products have a 3-year standard warranty on all manufacturing defects and 1-year warranty on all rechargeable batteries from the date of purchase.

For extended 5 year warranty please visit <https://nightsearcher.co.uk/en/extended-warranty.html> proof of purchase is required



Product weight	6.49kg
Product size (mm)	150x647mm
NS Part No.	NSTOWERPRO-10K