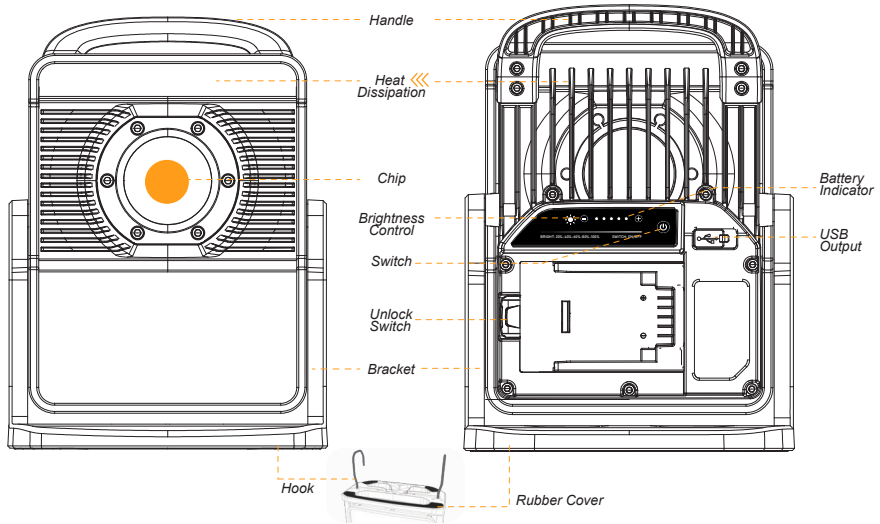




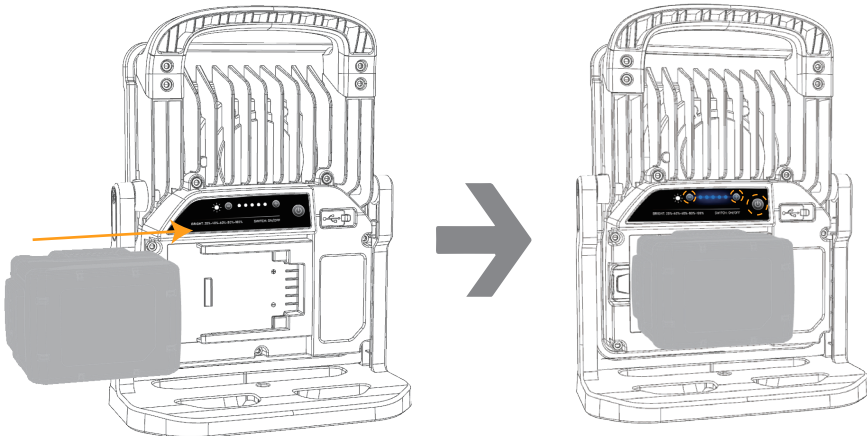
Kanga Star 5K
Kanga Star 10K
Instruction Manual

1. Introduce



2. Operation instruction

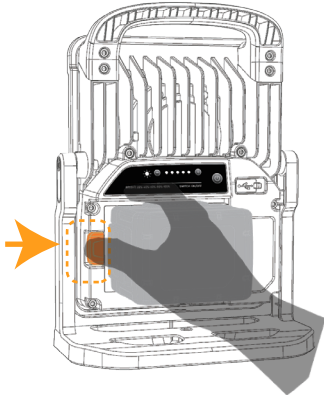
2.1 Install battery



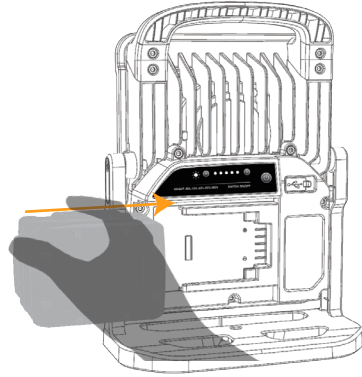
Slide the battery into the slideguide.

Press the Switch to turn on the light.
Press the Brightness control button to control the Brightness.

2.2 Replace battery

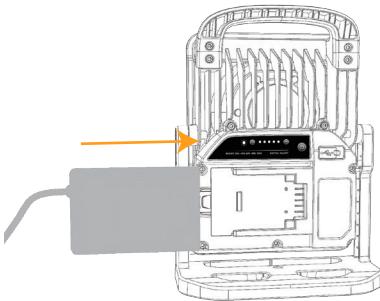


Press the unlock switch, the battery will eject automatically.



Slide the new battery.

2.3 Install AC pack



Slide the AC pack into the slideguide.



Plug in. Press the Switch to turn on the light. Press the Brightness control button to control the Brightness.

2.4 Charging



Press the battery switch, battery indicator will light. Only the red light is on, the battery needs to be recharged.



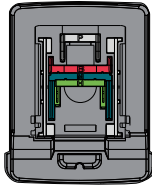
Slide the battery into the AC pack.



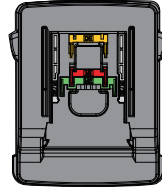
Plug in. Battery indicator lights will turn on one by one during charging. When the green indicator on, battery full.

2.5 Transform adaptor with tool battery power supply.

2.5.1 Battery installation

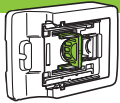


Model A



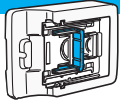
Model @

Model A



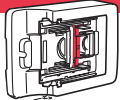
HIKOKI Battery(14.4V-18V)

1. Pull the "H" up.
2. Slide the battery into the adaptor.



MAKITA Battery(14.4V-18V)

1. Pull the "M" up.
2. Slide the battery into the adaptor.

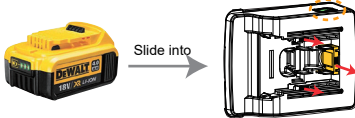


BOSCH Battery(14.4V-18V)

1. Pull the "B" up.
2. Slide the battery into the adaptor.

Model @

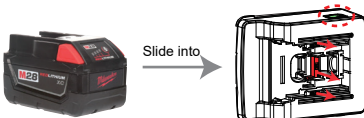
DEWALT Battery(14.4V or 18V)



Slide into

- 1.1 Pull the "DE" up.
- 1.2 Press the buttons on both sides to make sure "DE/MI" up.
- 1.3 Slide the battery into the adaptor.

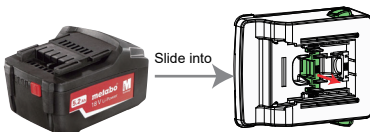
MILWAUKEE Battery(14.4V or 18V)



Slide into

- 1.1 Pull the "MI" up.
- 1.2 Press the buttons on both sides to make sure "DE/MI" up.
- 1.3 Slide the battery into the adaptor.

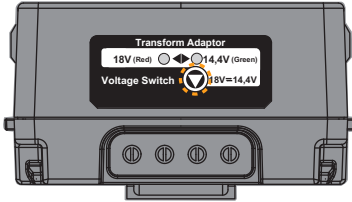
METABO Battery(14.4V or 18V)



Slide into

- 1.1 Pull the "ME" up.
- 1.2 Make sure "DE/MI" down.
- 1.3 Slide the battery into the adaptor.

2.5.2 Choose the right battery voltage



- ▲ Red indicator is for 18V.
Green indicator is for 14.4V.

- ▲ Adaptor has a memory for the battery voltage.
That means when switching to 14.4V, the default voltage memory will be at 14.4V.

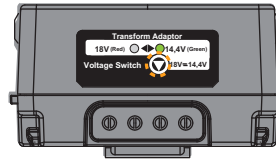
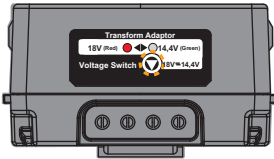
When the battery is inserted into the light. Red indicator on.
5S red indicator off.

18V Battery

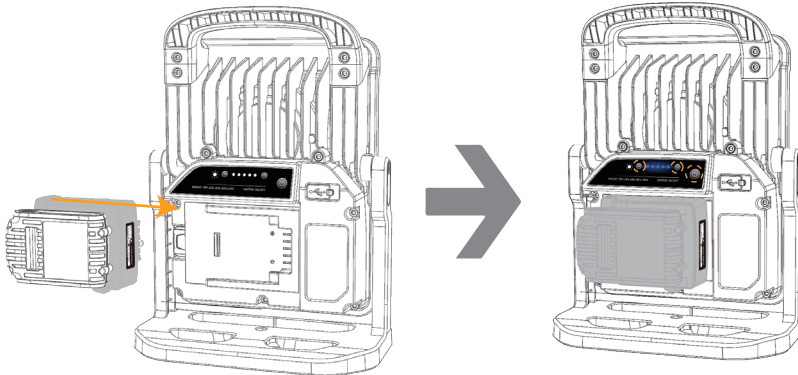
Press Voltage Switch.
Please make sure the voltage indicator is red.

14.4V Battery

Press Voltage Switch.
Please make sure the voltage indicator is green.



2.5.3 Turn on the light



Slide the adaptor with battery into the slideguide.

Press the Switch to turn on the light.
Press the Brightness control button to control the Brightness.

3. Specification

Model NO.	KangStar 5K	KangStar 10K
Power	40W	80W
LED Chip	COB chip	
RA	>80	
CCT	4000K	
Lumens	5000LM(MAX)	10000LM(MAX)
Battery	19.2V 6.0Ah LiFePO4 Batter(universal)	
Burning Time	5,000LM-2.5~3.5H 2,500LM-5~6H	10,000LM-1.5~2H 5,000LM-2~3H
Charging Time	1.5-2h/battery(fast charging)	
AC Pack/Charger	21.6V 4A output(universal)	
Operation	20%-40%-60%-80%-100%-OFF	
Working Temp.(AC Supply)	-20℃ ~ 50℃	
Working Temp.(DC Supply)	-10℃ ~ 45℃	
Storage Temp.	0℃ ~ 25℃	
Beam angle	120degree	
IP rate	IP 65	
NS CODE	NSKANGASTAR5K-A/B	NSKANGASTAR10K-A/B
Dimensions	290x145x265mm	265x145x360mm
Weight	1.48kg	3kg



All NightSearcher products have a 3-year standard warranty on all manufacturing defects and 1-year warranty on all rechargeable batteries from the date of purchase.

For extended 5 year warranty please visit <https://nightsearcher.co.uk/en/extended-warranty.html> proof of purchase is required



NightSearcher Limited
 Unit 4 Applied House, Fitzherbert Spur,
 Farlington, Portsmouth, Hampshire, PO6
 1TT, UK
 T: +44 (0)23 9238 9774
 E: sales@nightsearcher.co.uk