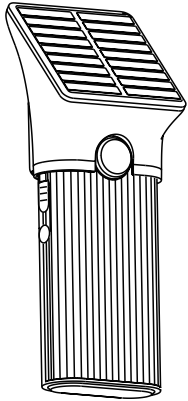


# NexSun

## 2-in-1 Solar Light

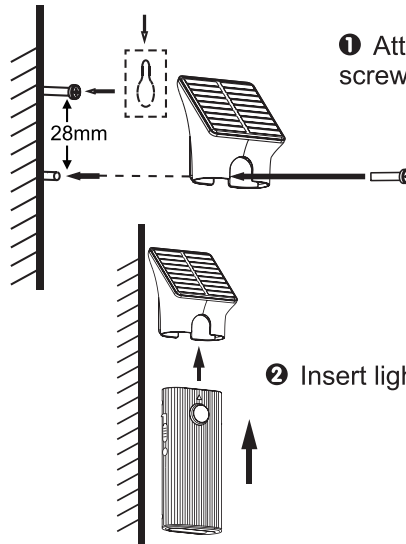
Wall mountable and detachable



Supplied with:  
1 x Solar light  
and fixings

### Installation:

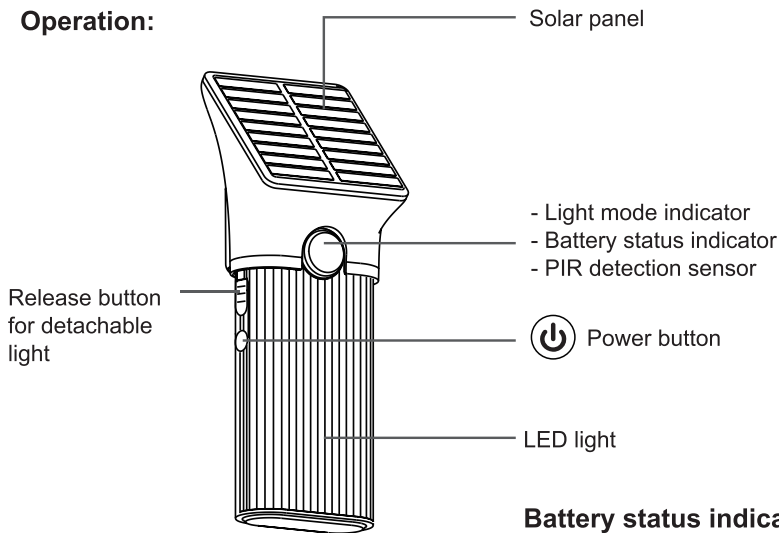
- Find a sunny location to mount the solar light ideally south facing is best.



- 1 Attach the solar panel using the flat screws and raw plugs provided.

- 2 Insert light into solar panel.

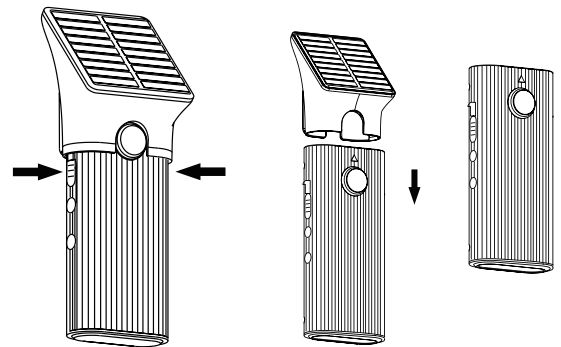
### Operation:



### Battery status indicator

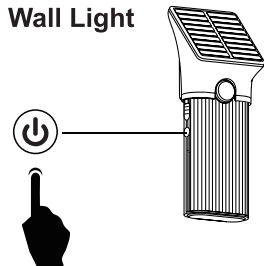
**Green:** 70% charged  
**Orange:** 30-70% charged  
**Red:** 30% charged

### Detaching the light from the solar panel:



- 1 Push and hold the release button on both sides
- 2 Pull light down and detach the light
- 3 Press the power button to change between light modes:  
**Mode 1:** 100 lumens brightness  
**Mode 2:** 200 lumens brightness

### Wall Light



### Power Button

- 1 Press and hold the power button for 1.5 seconds to turn light on.
- 2 Press the power button to change between these modes.  
The light mode indicator will display for 5 seconds red/green/orange to show which mode you are in:

**Mode 1 - Red:** 50 lumens brightness with PIR motion detection.

**Mode 2 - Green:** Light will be off until the PIR motion detection sensor is activated to turn the light on and will automatically turn off when sensor stops detecting movement.

**Mode 3 - Orange:** 200 lumens brightness for 6 hours.



NexSun is a brand of NightSearcher Ltd.

NightSearcher Limited, Unit 4 Applied House, Fitzherbert Spur, Farlington,  
Portsmouth, Hampshire, PO6 1TT, UK  
T: +44 (0)23 9238 9774 E: sales@nightsearcher.co.uk

All NexSun products have a 3 year standard warranty on all manufacturing defects and 2 years on rechargeable batteries from the date of purchase.

Please visit [www.nexsun.co.uk](http://www.nexsun.co.uk) for warranty information, proof of purchase is required.



Product weight	280g
Product size	80.26x71.72x225.04mm
NS Part No.	NEXSUN-2IN1