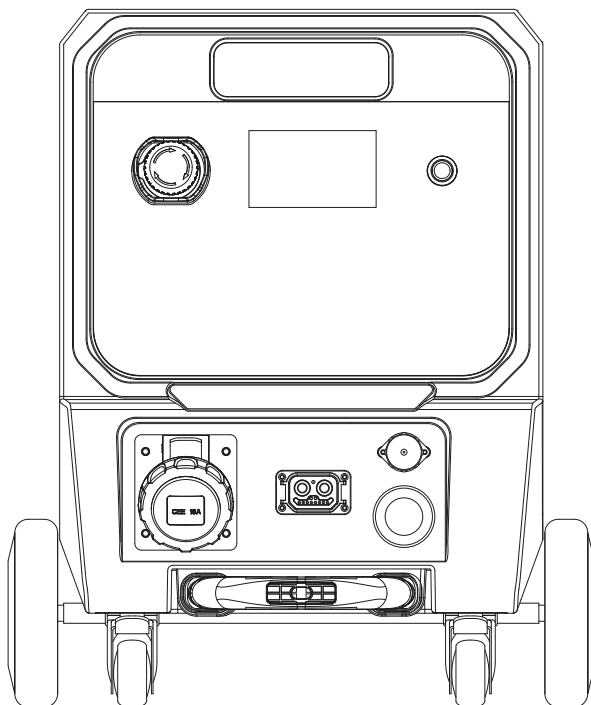


GENZERO

PORTABLE POWER STATIONS

GZ-ONYX-3600-110V/GZ-ONYX-3600-230V

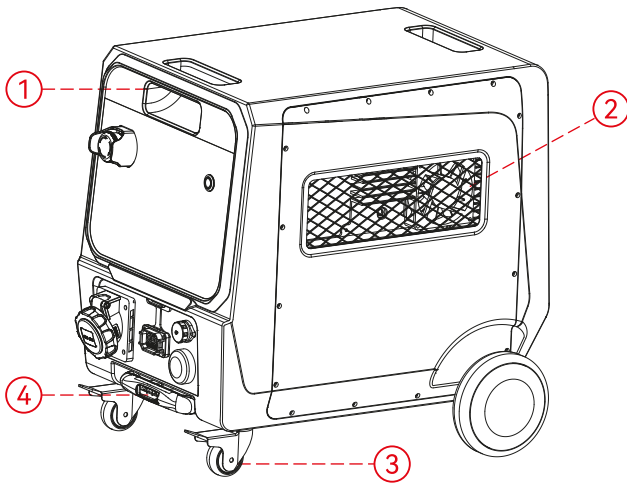
USER MANUAL



IMPORTANT SAFETY INFORMATION:

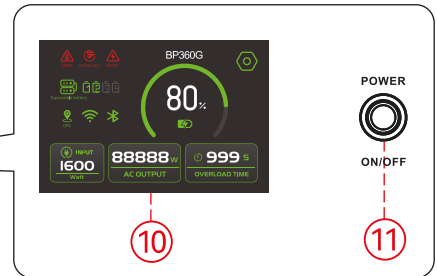
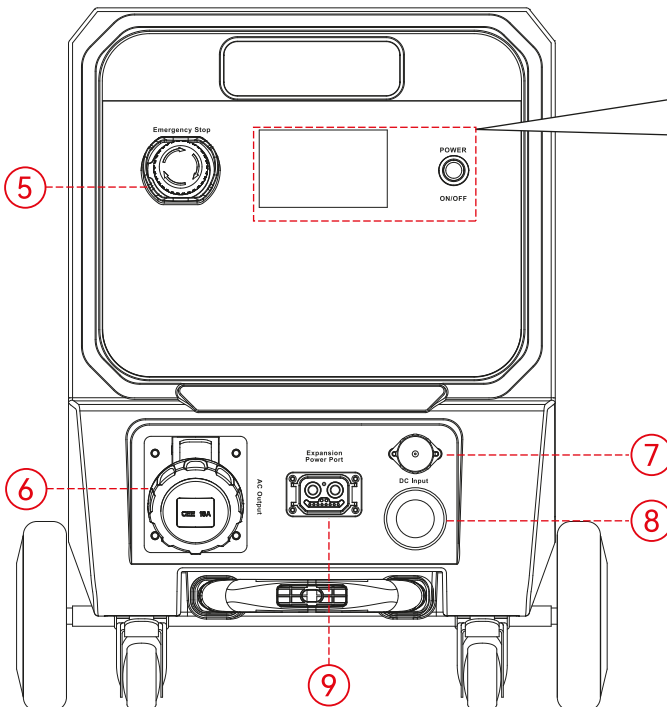
- To ensure heat dissipation, please make sure at least 5cm space around the generator for smooth airflow.
- Never submerge in water.
- If you suspect the unit has water inside, do not use or attempt to recharge.
- Dropping the Generator may damage the battery or circuit components inside.
- IF THE GENERATOR HAS BEEN SUBMERGED IN WATER OR SUSTAINED DAMAGE IT COULD BE A FIRE HAZARD. DO NOT USE THE PRODUCT. Place outdoors in a non-combustible container well away from flammable materials. DO NOT RECHARGE THE BATTERY AND CONTACT NIGHTSEARCHER. Place the generator outdoors in a non-combustible container well away from flammable materials and contact: www.nightsearcher.co.uk /+44 (0)2392 389774.
- Always recharge the generator on a hard, flat, heat resistant surface.
- The battery will not reach optimum performance until 4-5 charging cycles
- Do not turn the generator off immediately after use, only turn off once the fan has stopped running.
- Avoid charging the battery in temperatures below 0°C or exposing the battery to temperatures below -5°C or above 40°C.
- Never use the charger if the leads, contacts or casings are damaged. Do not use any chargers other than those provided.
- Never expose the charger to rain, moisture or damp. If you suspect any of these have occurred then do not use the charger.
- Always check with your airline before attempting to transport by air.
- We recommend the generator is recharged every 3 months if not used for a long time.
- Keep out of reach of children.
- In case of any problems or questions please contact NightSearcher Limited or an authorised distributor.

(GZ-ONYX-3600-110V)



- ① Handle
- ② Thermovent
- ③ Universal wheel
- ④ Pull rod

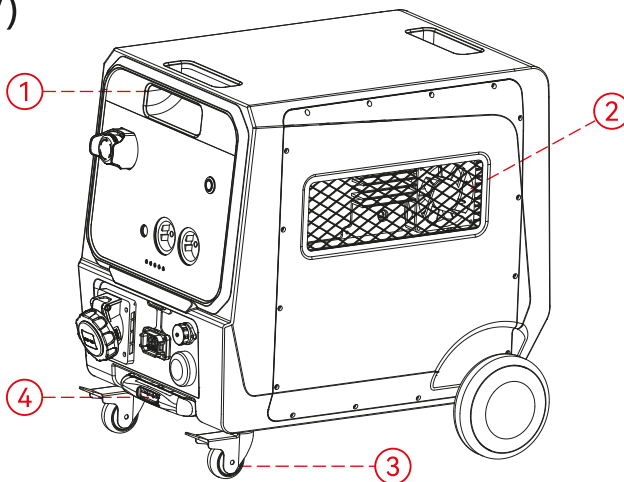
Front View



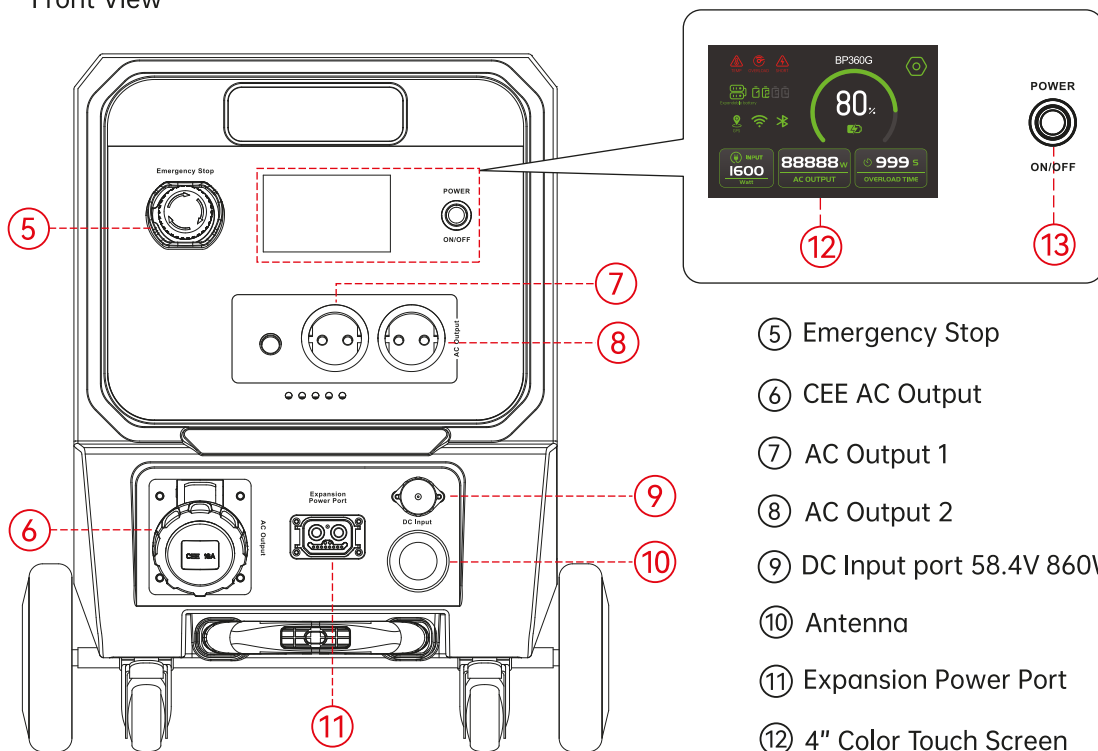
- ⑤ Emergency Stop
- ⑥ CEE AC Output
- ⑦ DC Input port 58.4V 860W
- ⑧ Antenna
- ⑨ Expansion Power Port
- ⑩ 4" Color Touch Screen
- ⑪ Power ON/OFF Push Button

(GZ-ONYX-3600-230V)

- ① Handle
- ② Thermovent
- ③ Universal wheel
- ④ Pull rod



Front View



- ⑤ Emergency Stop
- ⑥ CEE AC Output
- ⑦ AC Output 1
- ⑧ AC Output 2
- ⑨ DC Input port 58.4V 860W
- ⑩ Antenna
- ⑪ Expansion Power Port
- ⑫ 4" Color Touch Screen
- ⑬ Power ON/OFF Push Button







Operation instructions

The startup operation instructions






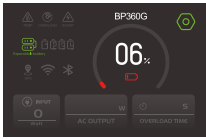
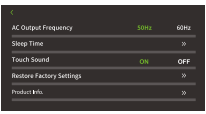
Press the power button and HOLD for (2 - 3 seconds) before releasing it, the machine will turn on, and the BMS and inverter will be powered on at the same time.

Touch screen operation guide

LED Display Show	STATUS	DESCRIPTION
	Remaining Battery Display	When the product is turned on, the current remaining battery level is displayed.
	Expandable battery	Show the battery expansion capacity
	Input Display	Displays the input power when charging through input.
	AC Output Display	When one port or multiple ports are in use, the screen shows the power for a single port or the total power being used.
	Overload Time Display	If the product is overloaded, it will show a countdown time.
	GPS/ WiFi/Bluetooth	The device supports wireless connection, Bluetooth, and positioning functions.

Attention:

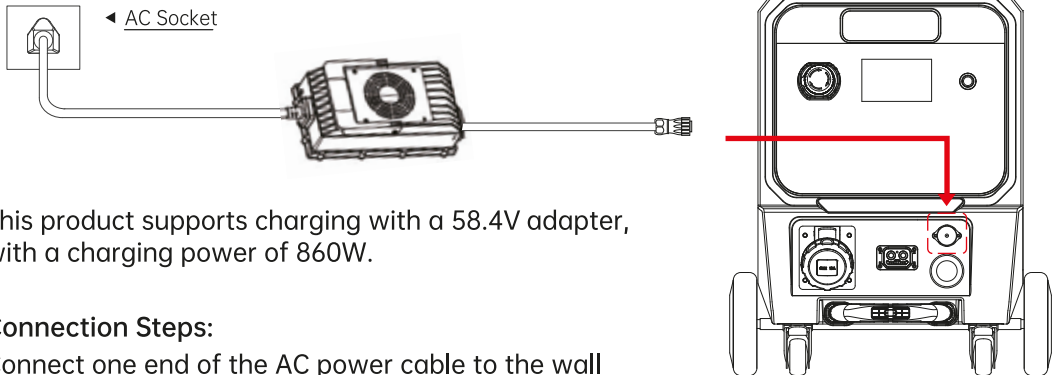
Full power discharge or overload discharge in high temperature environments may cause battery overheating protection. The product needs to be left for a period of time to reach the battery overheating recovery point before it can be discharged and charged again.

LED Display Show	STATUS	DESCRIPTION
	Temperature Abnormal Alarm	When the product is protected from high and low temperatures, the screen will display an abnormal temperature alarm.
	Overload Alarm	When the power output from a single port or multiple ports at the same time exceeds the power that the battery can carry, the screen will display an overload alarm
	Short Circuit Alarm	When an abnormal short circuit occurs in the circuit, the screen will display a short circuit alarm.
	Low Battery Alarm	When the product's power level falls below 5%, the screen will display a low battery alert.
	Settings Interface	The AC output frequency, screen sleep time, screen sound, and factory reset can be set through the settings interface.

Attention:

After the inverter protection, it cannot be restored on its own. It needs to restart the ON/OFF switch before it can be restored. When used in high temperature environments, overloading the inverter can cause overheating protection. It needs to wait for the inverter to recover to the overheating protection recovery point before it can work.

AC Adapter Charging



This product supports charging with a 58.4V adapter, with a charging power of 860W.

Connection Steps:

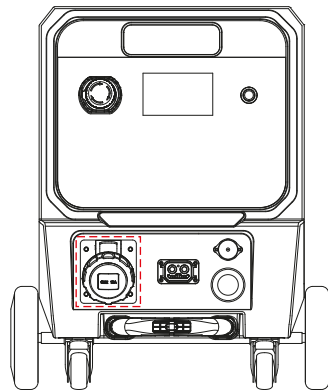
Connect one end of the AC power cable to the wall outlet, then connect the other end to the DC charging input port of this product via the adapter. Turn on the ON/OFF switch to begin charging.

⚠ WARNING !

1. The AC equipment must be determined according to the continuous output power of the energy storage power supply. The impact power of the AC equipment is not allowed to be greater than the tolerable instantaneous impact power of the energy storage power supply, otherwise it may cause damage to the energy storage power supply.
2. The total power of all AC outputs must not exceed the nominal value of the product.
3. Do not touch the wiring when the AC output is working to prevent the risk of electric shock.

CEE Industrial Socket Output

Waterproof and dustproof: The CEE industrial socket is IP66 rated and the cover keeps out dust and effectively prevents liquid penetration.



Description of use

- ① After inserting the plug into the socket, tighten it clockwise to prevent it from falling off, thus securing it completely.
- ② Only after all the connecting wires are connected can the machine be turned on for power supply.

⚠ WARNING: Do not plug or unplug while the power is on! To avoid electric shock.

Specifications

Operating state: Discharge	
Output voltage (GZ-ONYX-3600-110V)	110V AC/50Hz
Output voltage (GZ-ONYX-3600-230V)	230V AC/50Hz
Rated power	3,600W
150% overload	Operation for 600 s possible
200% overload	Operation for 100 s possible
250% overload	Operation for 15 s possible
Peak power	18000W
Maximum short-circuit current	500 A (peak)
Permitted operating temperature	-20°C to 45°C
Operating state: Charge	
Rated power	58.4V 1200 W
Charging time	~ 3Hrs
Permitted operating temperature	-10°C to 45°C
General information	
Capacity	2800 Wh
Battery Type	NCM
Weight	32.5KG
Dimensions	436.8×558.5×520mm
Protection rating	IP66
Protection class	Class II / double-insulated
Noise emissions	<35 dB(A)



Warranty

All NightSearcher products have a 10-year standard warranty on all manufacturing defects and 5-year warranty on all rechargeable batteries from the date of purchase. For more information visit: <https://nightsearcher.co.uk/pages/warranty-information>

If at any time, you need to dispose of this product or parts of this product: please note that waste electrical products and batteries should not be disposed of with ordinary household waste. Recycle where facilities exist. Check with your local authority for recycling advice. Alternatively, NightSearcher is happy to take receipt of this product at end-of-life and will recycle it on your behalf.



NightSearcher Limited
Unit 4 Applied House, Fitzherbert Spur, Farlington,
Portsmouth, Hampshire, PO6 1TT, UK
T: +44 (0)23 9238 9774 E: sales@nightsearcher.co.uk W: nightsearcher.co.uk